

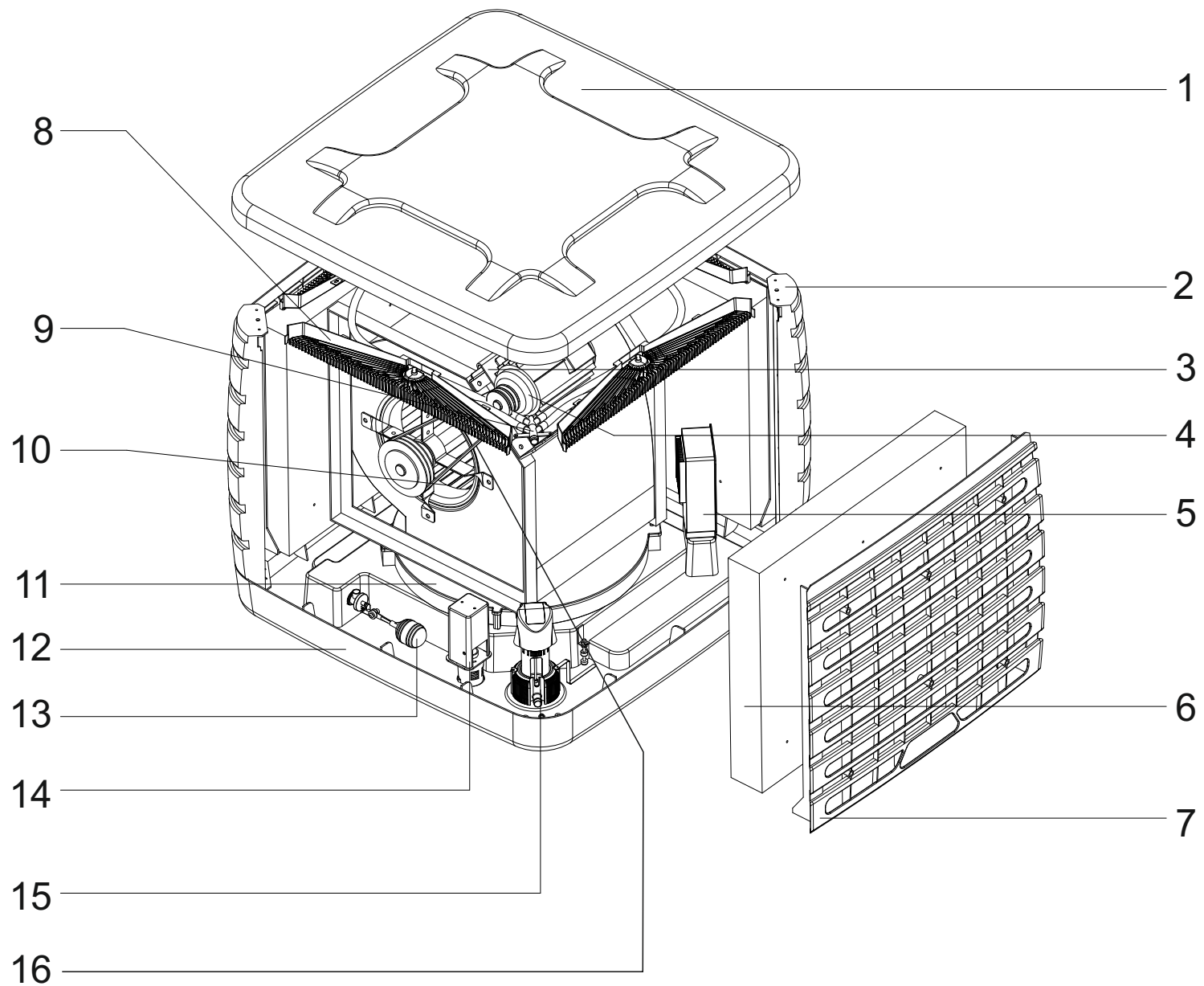
MODEL BCF 230RB

UNIT 1

ILLUSTRATED PARTS BREAKDOWN

Until Serial Number: 76G36000001

Rev. - - Feb. 2016



MODEL BCF 230RB

UNIT 2

PARTS LIST

| Pos. | Code N° | Description | Rev. - - Feb. 2016 |
|------|----------|--------------------------|--------------------|
| 1 | 4140.823 | TOP PANEL | |
| 2 | 4140.835 | CORNER | |
| 3 | 4140.831 | MOTOR SUPPORT | |
| 4 | 4140.828 | MOTOR | |
| 5 | 4140.827 | CONTROL BOX | |
| 6 | 4140.826 | COOLING PAD | |
| 7 | 4140.825 | SIDE BOARD | |
| 8 | 4140.824 | WATER DIFFUSER | |
| 9 | 4140.838 | WATER PIPE 5 WAY | |
| 10 | 4140.829 | CENTRIFUGAL FAN | |
| 11 | 4140.832 | OUTLET PANEL | |
| 12 | 4140.836 | BOTTOM TANK | |
| 13 | 4140.843 | INLET VALVE | |
| 14 | 4140.845 | DRAIN VALVE | |
| 15 | 4140.842 | WATER PUMP | |
| 16 | 4140.882 | TRANSMISSION BELT | |
| | 4140.847 | REMOTE CONTROL | |
| | 4140.848 | LCD TOUCH PANEL | |
| | 4140.961 | AIR FILTER (WITH MAGNET) | |

UNIT 2

RECOMMENDED SPARE PARTS

| Pos. | Code N° | Description | Rev. - - Feb. 2016 |
|------|----------|--------------------------|--------------------|
| 4 | 4140.828 | MOTOR | |
| 5 | 4140.827 | CONTROL BOX | |
| 6 | 4140.826 | COOLING PAD | |
| 15 | 4140.842 | WATER PUMP | |
| 16 | 4140.882 | TRANSMISSION BELT | |
| | 4140.847 | REMOTE CONTROL | |
| | 4140.848 | LCD TOUCH PANEL | |
| | 4140.961 | AIR FILTER (WITH MAGNET) | |